

### 28200 Series

#### Hygienic Stainless Steel Pedestal Pump

##### Features

- Self primes from dry up to 5.0 metres
- Flows up to 40 litres per minute
- Pressure up to 3.0 bar
- Handles soft solids - max. 8mm diameter
- Certified to US 3A Standard 02-09
- Clean-In-Place (CIP) or easy strip clean
- Handles viscosities up to 50,000 centiPoise
- Minimal shear to thixotropic fluids
- Easy to service and maintain



##### Typical Applications

- Foods, sauces, doughs, preserves, liquid egg, meat pastes
- Dairy products, milk, cream, yoghurt, cheeses
- Cosmetics, toothpaste, shampoos, soaps
- Pharmaceutical creams & lotions
- Wines, beers, soft drinks, fruit juices & syrups
- Ingredients unloading and transfer
- Tank filling and emptying
- Recirculation and mixing
- Portion and container filling
- Brine injection
- Sampling, filtration and more

##### Specifications

**Seal :** Carbon / Ceramic mechanical face seal  
Tungsten Carbide / Ceramic hard faced seal  
Flushed options for crystallising fluids

**Seal Elastomer :** Food grade Nitrile

**Pump Head :** Stainless steel 316, machined interior and electropolished exterior finish

**End Cover :** Stainless steel 316 grade

**Shaft :** Stainless steel 316 grade

**Bearings :** Greased ball bearings

**Bearing Housing :** Epoxy coated cast iron

Ports :			
1"	Tri-Clamp	28200-1xxx	
25mm	IDF/ISS	28200-3xxx	
1"	RJT to BS1864	28200-4xxx	
1"	3A Bevel Seat	28200-5xxx	
25mm	DIN 11851	28200-6xxx	
25mm	SMS 1145	28200-7xxx	

##### Model Range

**Weight :** 2.9kg


Pressure options	Standard - Max 2.5 bar		High - Max 3.0 bar	
	3A Neoprene	E.P.D.M.	3A Neoprene	E.P.D.M.
Elastomer option	3A Neoprene	E.P.D.M.	3A Neoprene	E.P.D.M.
Temperature range	4°C to 65°C	0°C to 120°C	4°C to 65°C	0°C to 120°C
<b>Mechanical Seal Options</b>				
Carbon/Ceramic	28200-x105	28200-x102	28200-x125	
Tungsten Carbide/Ceramic hard faced	28200-x205		28200-x225	
<b>Flushed Mechanical Seal</b>				
Tungsten Carbide/Ceramic hard faced	28200-x705		28200-x725	
Carbon/Ceramic	28200-x905		28200-x925	

For models not listed above, consult distributor or factory, 'x' Substitute port code from table above


Note : it is not recommended to start the pump at extremes of the temperature range, impeller damage may occur

For Installation, Operating, Maintenance and Safety Instructions refer to form 43001-0543

**⚠ WARNING** Explosion hazard. Do not pump gasoline, solvents, thinners or other flammable liquids. To do so can cause an explosion resulting in injury or death.

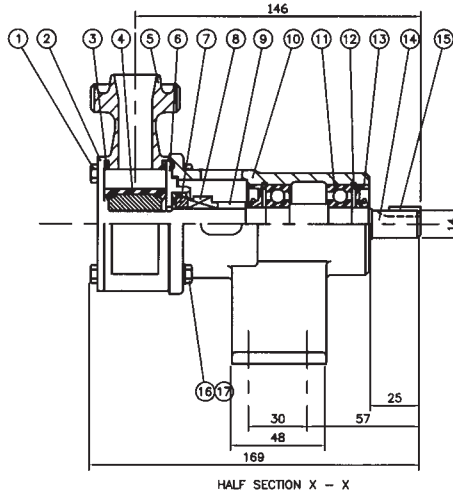
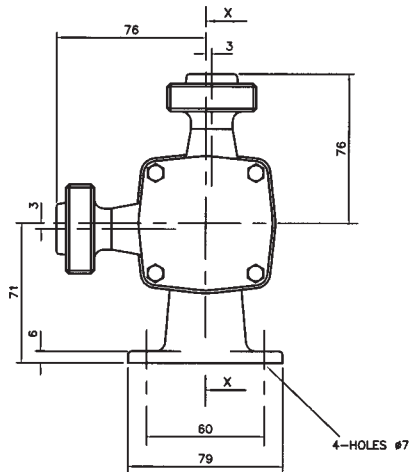


**⚠ WARNING** Injury hazard. Exposed pulleys and belts can cause injury. Install shield around pulleys and belts. Stay clear while machinery is operating.

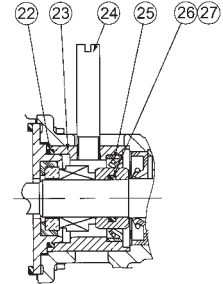


# 040 Size Hygienic Stainless Steel FIP Pump

11/00



## 28200 Series



Flushed Seal

Dimensions in mm

For performance data refer to the 040 size flexible impeller pump performance curves

### Parts List

Key	Description	Qty	Part Number
1	Screw	4	X3001-147F
2	Endcover	1	28205-0020
3	O'Ring *	2	See right
4	Impeller*	1	See right
5	Body	1	See right
6	Wearplate	1	28236-0000
7 / 8	Seal Assembly *	1	See right
9	Seal Spacer	1	28217-0000
10	Bearing Housing	1	28203-0000
11	Bearing	2	SP2600-01
12	Retaining Ring	2	SP1701-4435
13	Lip seal (Bearing Housing)	2	SP2700-39
14	Shaft	1	28207-0000
15	Key	1	X4000-109A
16	Washer	4	X3080-081F
17	Screw	4	X3001-153F
22	O-Ring	1	X4020-237A
23	Seal Housing	1	28212-0000
24	Tube	2	21844
25	Seal	1	SP2701-0913
26	O-Ring	1	X4020-215A
27	Seal Spacer	1	28217-0001

Parts marked \* Contained in service kit

### Spare Parts & Service Kits

Pressure Rating		Standard	High
3	O-Ring	Nitrile X4020-259A	X4020-259A
4	Impeller	3A Neoprene 7614-0005B	8980-0005B
		E.P.D.M. 7614-0002B	8980-0002B
5	Body	Tri-Clamp 28204-1000	28204-1000
		IDF/ISS 28204-3000	28204-3000
		RJT 28204-4000	28204-4000
		Bevel Seat 28204-5000	28204-5000
		DIN 28204-6000	28204-6000
7 / 8	Seals	SMS 28204-7000	28204-7000
		Std Mech. 28231-0103B	28231-0103B
		Hard Faced 28231-0203B	28231-0203B
Service Kit		3A Neoprene SK376-0105	SK376-0125
		E.P.D.M.	

Models with Neoprene and E.P.D.M. impellers use Nitrile elastomers on seals and O-rings.

High Temperature impeller part no. 23470-0065B available separately.

NOTE:- Service Kits contain standard mechanical seals. For hard faced seals, order parts separately.

### Other Available Options

Standard head kits, for close coupling to standard IEC motors.

Jabsco



ITT Industries

USA

Jabsco  
1485 Dale Way  
Costa Mesa  
CA 92628-2158

Tel : +1 714 545 8251  
Fax : +1 714 957 0609

UK

Jabsco  
Bingley Road  
Hoddesdon  
Hertfordshire, EN11 0BU

Tel : +44 (0) 1992 450 145  
Fax : +44 (0) 1992 467 132

GERMANY

Jabsco GmbH  
Oststraße 28  
22844 Norderstedt

Tel : +49 (0) 40 53 53 73 0  
Fax : +49 (0) 40 53 53 73 11