

ELECTROMAGNETIC CLUTCH DRIVEN FLEXIBLE IMPELLER PUMP

FEATURES

- Carbon / Ceramic mechanical seal
- Sealed for life spaced bearings
- 1" NPT or 1" BSP ports
- Multi position mounting foot
- Standard pressure Jabsco neoprene impeller
- Automotive electromagnetic clutch



Models 50580-Series

MODEL RANGE

Pump Model	Port Size	Clutch Voltage	Pulley Section
50580-2001	1" BSP	12V	2A
50580-2101	1" BSP	24V	2A
50580-2201	1" BSP	12V	1B
50580-2301	1" BSP	24V	1B
50580-9001	1" NPT	12V	2A
50580-9101	1" NPT	24V	2A
50580-9201	1" NPT	12V	1B
50580-9301	1" NPT	24V	1B

APPLICATION

Marine; engine cooling, bilge pumping, washdown and deck flooding, ballast transfer, general purpose pump, fire fighting.

Industrial; circulation and transfer of water, sump drainage, cellar drainage, emergency pumping.

Farming/Agriculture; waste water removal, shallow well pump, ditch drainage.



WARNING: Do not use any Jabsco pump for petrol, petroleum products or any products with a flash point below 37°C (98°F), explosion or death may occur.



WARNING: Injury hazard. Exposed pulleys and belts can cause injury. Install shield around pulleys and belts. Stay clear while machinery is operating.



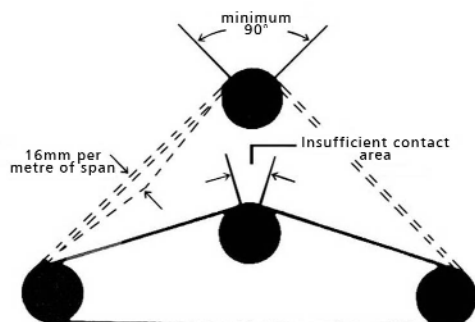
Do NOT run dry.

INSTALLATION

Pumps must be securely mounted on a rigid surface. Pumps can be mounted in any position. If mounted vertically, ensure the bearings are above the pump head to ensure long life.

The rotation of the pump shaft determines the location of the inlet and outlet port. All pipework must be supported to avoid stress on the pump. Suitable fittings must be used to connect the piping to the pump and sealed accordingly. Inlet pipework must be either rigid or reinforced to avoid collapsing under vacuum.

Excessive belt tension will result in premature bearing failure. The belt should be set to allow 16mm (1/2") of movement over 1m (3ft) of span when pushed.



Ideal belt contact area should not be less than 90° of the pulley circumference.

Ensure that all moving parts are adequately guarded to prevent accidents. Ensure all wiring is of adequate size conforming to ABYC wiring recommendations and connected securely in a dry location.

Maximum voltage drop allowed is 20% of rated voltage. Inadequate voltage will result in blown fuses and/or clutch failing to engage.

Do not place equipment which can be affected by magnetic fields near the pump.

OPERATION

Pumps are dry self priming. If fluid does not enter pump after 30 seconds, stop pump, and check inlet hose for leaks and/or blockages.

Maximum speed for these pumps is 2200 rpm, do not operate pump outside the published limits without consulting the factory appointed distributor.

Do NOT allow liquid to freeze in the pump, drain pump by loosening end cover screws.

SERVICE INSTRUCTIONS

Inspect all parts for wear or damage and replace as necessary.

1. Ensure power is switched off to pump.
2. Remove central screw and washer holding on pulley.
3. Remove pulley and key.
4. Remove 3 screws holding field coil to pump body.

DIS-ASSEMBLY PUMP

1. Remove end cover screws, end cover, and o-ring.
2. Remove spline seal and impeller using impeller removal tool.
3. Remove cam screw, cam, and wearplate.
4. Remove seal retaining ring.
5. Remove bearing dust seal (if fitted) and bearing retaining ring (if fitted)
6. Carefully push shaft from pump end to remove shaft/bearings assembly.
7. Remove seal from body.
8. Remove slinger o-ring and press off bearings.

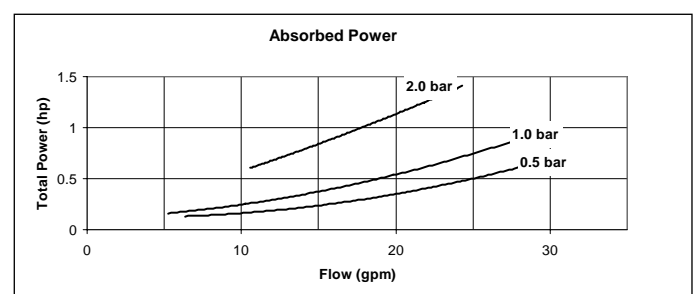
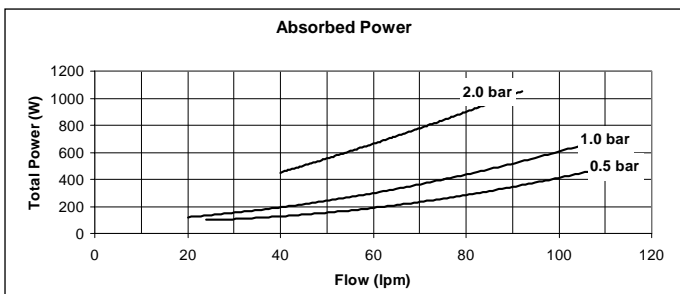
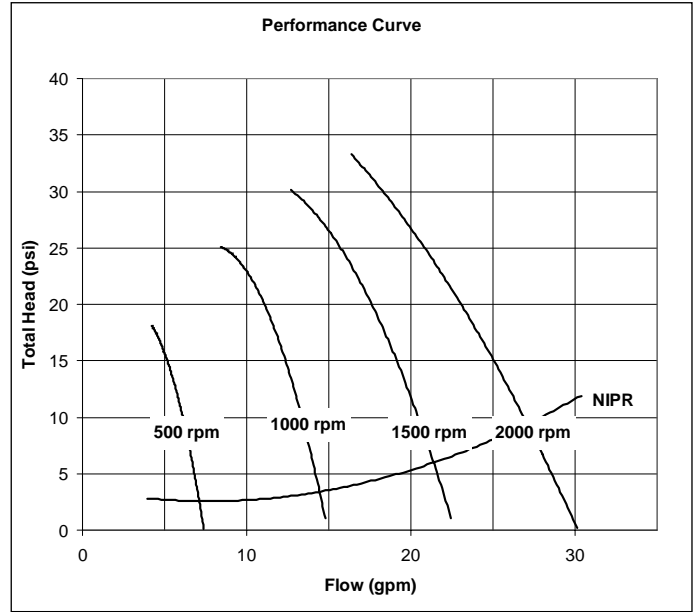
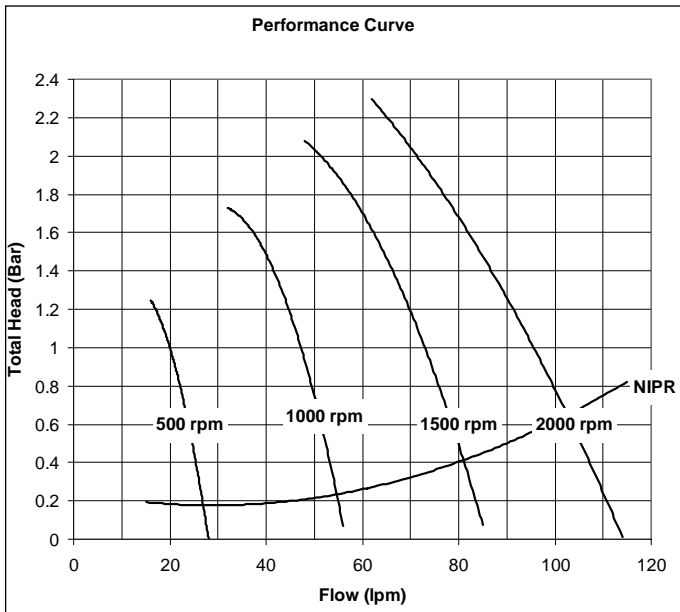
RE-ASSEMBLY PUMP

1. Press bearing onto shaft and fit into body.
2. Replace bearing retaining ring (if fitted) and dust seal (if fitted).
3. Fit o-ring slinger.
4. Carefully install seal in pump body ensuring seal faces are clean and fit seal retaining ring.
5. Fit wearplate, cam, and cam screw ensuring cam screw o-ring seal is in place.
6. Fit impeller using a small amount of suitable grease.
7. Fit spline seal, o-ring, end cover, and end cover screws.

RE-ASSEMBLY CLUTCH

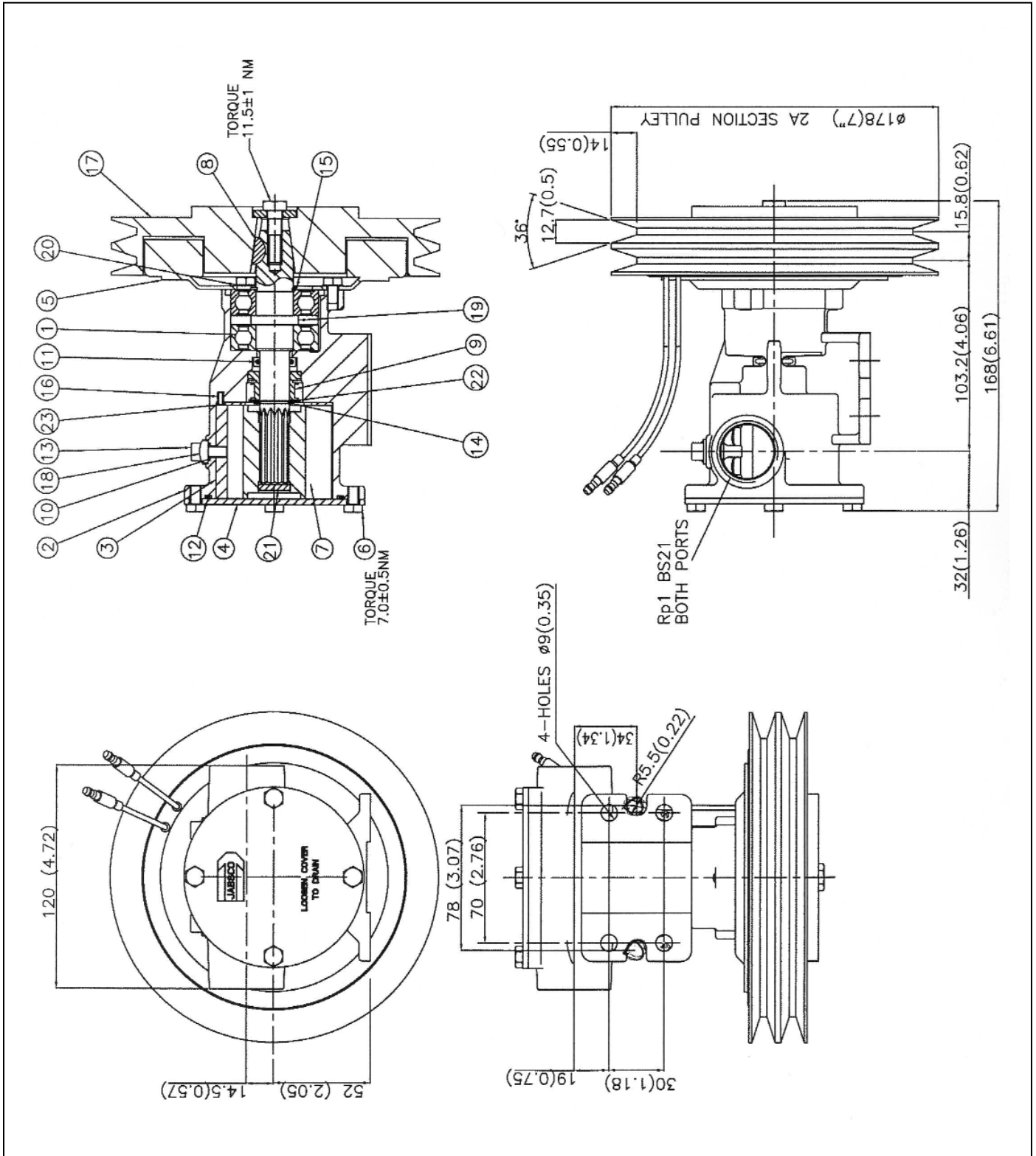
1. Fit field coil using 3 screws.
2. Fit key into shaft, and push on pulley.
3. Fit washer and bolt and tighten to desired torque.
4. Reconnect power to clutch.

PERFORMANCE (UK & US Versions)



PARTS LIST

KEY	DESCRIPTION	PART NUMBER	QTY
1	BEARING, BALL	SP2601-046B	2
2	BODY 080	51584-2100	1
3	CAM	53082-0000	1
4	ENDCOVER	50355-0000	1
5	FIELD COIL 12V	SP2300-0063FC	1
6	HEX HEAD SCREW	X3001-176F	7
7	IMPELLER 080	920-0101	1
8	KEY - WOODRUFF	SP1401-10	1
9	MECH SEAL	96080-0620	1
10	O-RING	X4020-106A	1
11	O-RING	X4020-215A	1
12	O-RING	X4020-269A	1
13	PIPE PLUG	92650-6070	2
14	RETAINING RING	SP1700-62	1
15	RETAINING RING	SP1700-247	1
16	ROLL PIN	SP3100-10	1
17	ROTOR ARM 2A	SP2300-0061RA	1
18	SCREW	X3003-176F	1
19	SHAFT 080	50587-0000	1
20	SHAKEPROOF WASHER	X3083-291F	3
21	SPLINE SEAL	4345	1
22	SUPPORT WASHER	29706-0000	1
23	WEARPLATE	4156	1



Jabsco



ITT Industries

Jabsco, 1 Kondelin Road, Cape Ann Industrial Park, Gloucester, MA 01930

Tel : +1 978 281 0440

Fax : +1 978 283 2619

Jabsco, Bingley Road, Hoddesdon, Hertfordshire, EN11 0BU

Tel : +44 (0) 1992 450 145

Fax : +44 (0) 1992 467 132

Fluid Products Canada, 55 Royal Road, Guelph, Ontario N1H 1T1

Tel : +1 519 821 1900

Fax : +1 519 821 5316

NHK Jabsco Co Ltd, 3-21-10, Shin - Yokohama, Kohoku-ku, Yokohama 222

Tel : +81 (0) 45 475 8906

Fax : +81 (0) 45 475 8908

Jabsco GmbH, Oststraße 28, 22844 Norderstedt

Tel : +49 (0) 40 53 53 73 0

Fax : +49 (0) 40 53 53 73 11

Jabsco Italia, S.r.l., Via Tommaseo, 6, 20059 Vimercate, Milano

Tel : +39 039 685 2323

Fax : +39 039 666 307

USA

UK

CANADA

JAPAN

GERMANY

ITALY

Warranty: All products of the company are sold and all services of the company are offered subject to the company's warranty and terms and conditions of sale, copies of which will be furnished upon request. The information provided herein is for guidance only, it does not constitute a guarantee of the performance or specification of any individual product or component.
©Copyright 2004 ITT Industries

43000-0803 Rev: 04/05