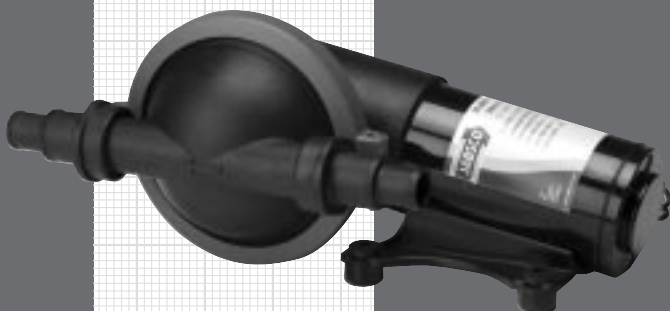


JABSCO®



50880



- GB** Shower Drain and Bilge Pump
- FR** Pompe de douche et de cale
- DE** Duschbeckenentleerungspumpe
- IT** Scolo per la doccia e pompe di sentina
- NL** Douche - en lenspompen
- SE** Duschavlopp- och länsypump
- ES** Bomba para drenaje de duchas

CE

Jabsco



ITT Industries
Engineered for life

JABSCO®

Shower Drain and Bilge Pump

Robust Single Diaphragm Design

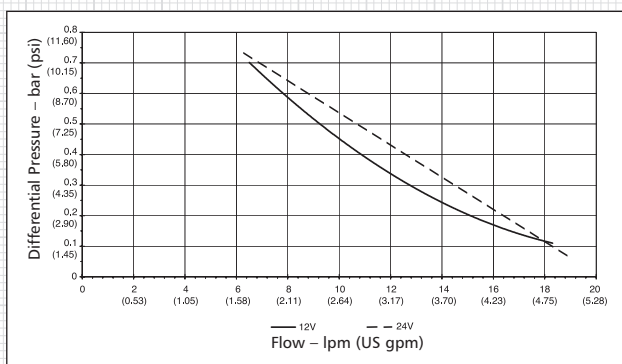
Features

- Flexible installation
- No filter required
- Compact and simple design
- Self-priming to 3m (10ft)
- 12v and 24v variants
- Dry running capability
- Connections for 19mm (3/4") ports
- Up to 16 lpm (4.2 US gpm) flow

Specifications

- Suction Lift: 3 meters (10ft)
- Relevant Standards:
 - ISO 8846 MARINE and USCG Regulations for Ignition Protection
 - ISO 8849 MARINE Bilge Pump Standard
- Built to ISO 15083 Specification
- Meets BSEN 50081 (Electro Magnetic Compatibility)

Performance Curve



Installation

- The Jabsco Shower Drain and Bilge Pump is self priming up to 3m (10ft).
- Uses multi positional ports for easy mounting of the pump.
- If mounted vertically the motor should be above the pump head.
- Use rubber grommets provided to absorb vibration.
- Use 19mm (3/4") i.d. spiral reinforced hose (with a smooth internal bore), or semi-rigid pipework systems.
- Connect the hose to inlet and outlet of pump using two stainless steel hose clamps at both ends.
- All suction connections must be airtight and free of sharp bends or restrictions.



WARNING: All marine pumps discharging overboard must be installed with the overboard discharge well above static and heeled waterlines.

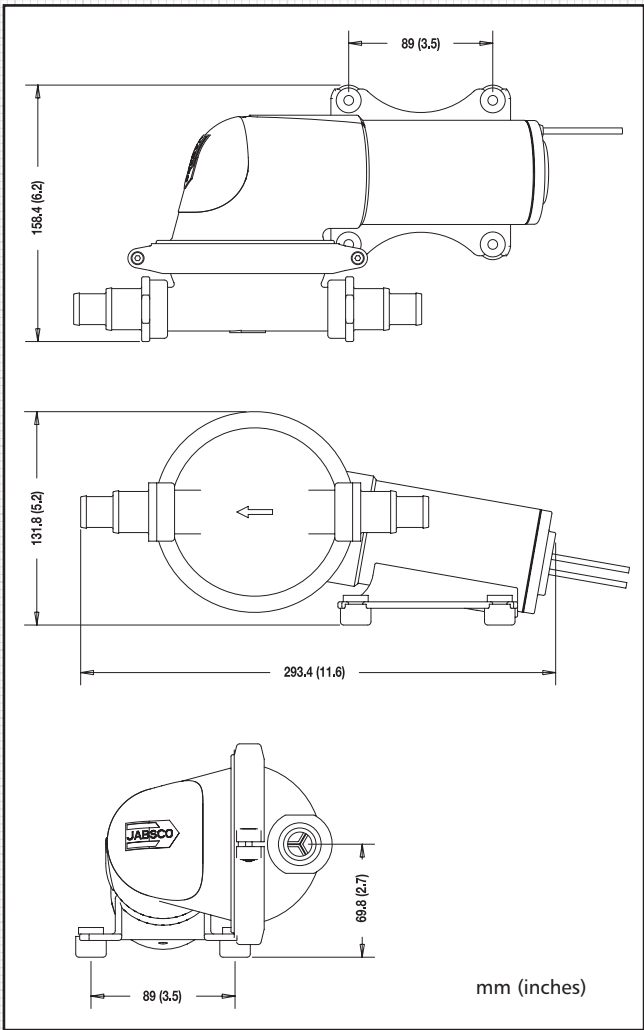


WARNING: Do not use any Jabsco pump for petrol, petroleum products or any products with a flash point below 37°C (98°F), explosion or death may occur.

Operation

The dc motor is suitable for intermittent duty and should not be run for more than 30 minutes continuously.

DIMENSIONAL DRAWING



Jabsco



ITT Industries

Engineered for life

Jabsco,

1 Kondelin Road, Cape Ann Industrial Park, Gloucester, MA 01930

USA

Tel: +1 978 281 0440

Fax: +1 978 283 2619

Jabsco,

Bingley Road, Hoddesdon, Hertfordshire EN11 0BU

UK

Tel: +44 (0) 1992 450 145 Fax: +44 (0) 1992 467 132

Fluid Products Canada,

55 Royal Road, Guelph, Ontario N1H 1T1

CANADA

Tel: +1 519 821 1900

Fax: +1 519 821 2569

NHK Jabsco Co Ltd,

3-21-10, Shin-Yokohama, Kohoku-ku, Yokohama 222

JAPAN

Tel: +81 (0) 45 475 8906

Fax: +81 (0) 45 475 8908

Jabsco GmbH,

Oststraße 28, 22844 Norderstedt

GERMANY

Tel: +49 (0) 40 53 53 73 0

Fax: +49 (0) 40 53 53 73 11

Jabsco Marine Italia S.r.l.,

Via Tommaseo, 6, 20059 Vimercate, Milano

ITALY

Tel: +39 039 6852323

Fax: +39 039 666307

Discover Jabsco at www.jabsco.com

Warranty: All products of the company are sold and all services of the company are offered subject to the company's warranty and terms and conditions of sale, copies of which will be furnished upon request